

BIO-30-005B // 90 cm Built-in Fireplace

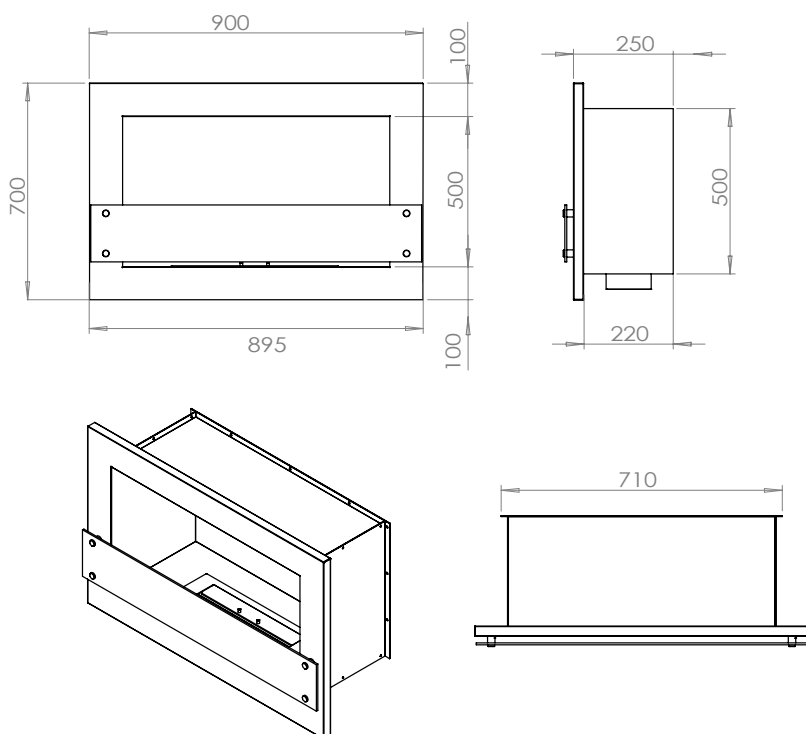
Technical Specifications

Fireplace Type	Built-in bioethanol fireplace
Fuel	Bioethanol, max. 97.5% alcohol
Weight	27 kg.
Materials	Stainless Steel, Tempered Glass
Size	Height: 700 / Width: 900 / Depth: 250 mm.
Colour	Black
Burner type	Manual
Capacity	2.5 liters
Adjustable flame	Yes
Burn time	Up to 7h30m
Requires electricity	No
Heat effect	2.46 kW/h

Pictures



Technical Drawings



www.biofireplacegroup.com

Date of publication: 21/11-2018